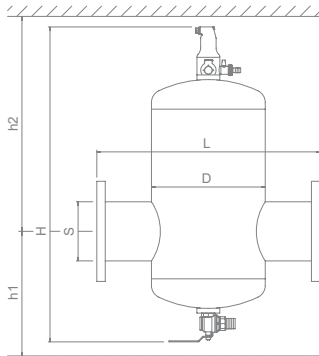


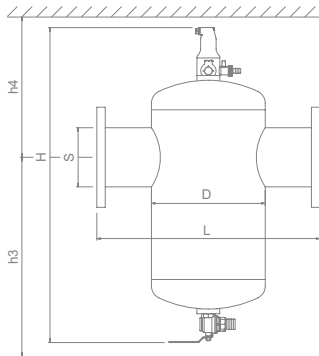
zeparo

Separator Heating and cooling water systems

Zeparo Omni ZIO ... F



Separator for micro bubbles



Separator for sludge particles

Separator, ideal for micro bubbles or sludge particles

- helistill separator
- leakfree air vent, eXtra version lockable
- de-sludging valve
- Industrial type, steel, color beryllium
- addition of antifreeze up to 50%
- Zeparo Top eXtra ZUTX air vent, de-sludging valve and lifting hook included in the delivery for the on-site assembly
- horizontal installation, flange connection PN 16
- constructed according to PED/DEP 97/23/EC

PS:10 bar

TS: 110 °C

Type	D	H	h1	h2	h3	h4	L	G	S	VM	DP _{VM}	Article-Nº
	mm	mm	mm	mm	mm	mm	mm	kg	DN	m ³ /h	bar	
ZIO 50 F	168	611	244	437	391	290	350	19	50	25	0.148	781 1050
ZIO 65 F	168	611	244	437	391	290	350	20	65	42	0.157	781 1065
ZIO 80 F	219	724	275	519	473	321	470	37	80	58	0.150	781 1080
ZIO 100 F	219	724	275	519	473	321	475	38	100	95	0.135	781 1100
ZIO 125 F	324	926	375	621	575	421	635	66	125	147	0.135	781 1125
ZIO 150 F	324	926	375	621	575	421	635	68	150	218	0.146	781 1150
ZIO 200 F	406	1054	382	742	696	428	775	122	200	360	0.150	781 1200
ZIO 250 F	508	1301	445	926	880	491	890	187	250	575	0.155	781 1250
ZIO 300 F	610	1541	510	1101	1055	556	1005	250	300	814	0.158	781 1300