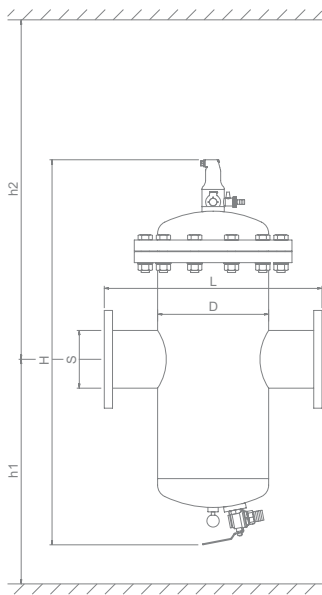


zeparo

Separator Heating and cooling water systems

Zeparo Kombi Magnet ZEKM ... F



Separator for micro bubbles, sludge particles, with magnetic action

- helistill separator
- leakfree air vent, eXtra version lockable
- eccentrically arranged de-sludging valve
- dry magnetic rod in pocket to increase the magnetite capture
- Extended type, detachable for the removal of the helistill separator, steel, color beryllium
- addition of antifreeze up to 50%
- Zeparo Top eXtra ZUTX air vent, de-sludging valve, magnetic rod and lifting hook included in the delivery for the on-site assembly
- horizontal installation, flange connection PN 16
- constructed according to PED/DEP 97/23/EC

PS: 10 bar TS: 110 °C

Type	D mm	H mm	h1 mm	h2 mm	L mm	G kg	S DN	VM m³/h	DP _{VM} bar	Article-Nº
ZEKM 50 F	168	796	491	854	350	34	50	25	0.148	782 6050
ZEKM 65 F	168	796	491	854	350	37	65	42	0.157	782 6065
ZEKM 80 F	219	962	573	1066	470	74	80	58	0.150	782 6080
ZEKM 100 F	219	962	573	1066	475	76	100	95	0.135	782 6100
ZEKM 125 F	324	1174	679	1497	635	125	125	147	0.135	782 6125
ZEKM 150 F	324	1174	679	1497	635	128	150	218	0.146	782 6150
ZEKM 200 F	406	1434	802	1872	775	188	200	360	0.150	782 6200
ZEKM 250 F	508	1806	984	2326	890	285	250	575	0.155	782 6250
ZEKM 300 F	610	2086	1125	2736	1005	373	300	814	0.158	782 6300