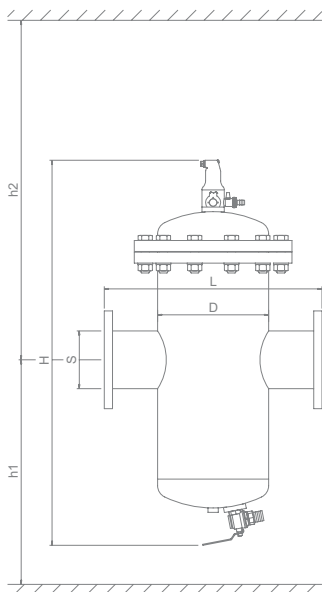


# zeparo

## Separator Heating and cooling water systems

### Zeparo Kombi ZEK ... F



### Separator for micro bubbles, sludge particles

- helistill separator
- leakfree air vent, eXtra version lockable
- eccentrically arranged de-sludging valve
- Extended type, detachable for the removal of the helistill separator, steel, color beryllium
- addition of antifreeze up to 50%
- pocket for retrofitting optional dry magnet
- Zeparo Top eXtra ZUTX air vent, de-sludging valve and lifting hook included in the delivery for the on-site assembly
- horizontal installation, flange connection PN 16
- constructed according to PED/DEP 97/23/EC

PS: 10 bar TS: 110 °C

Type	D mm	H mm	h1 mm	h2 mm	L mm	G kg	S DN	VM m³/h	DP <sub>VM</sub> bar	Article-Nº
ZEK 50 F	168	796	491	854	350	36	50	25	0.148	782 4050
ZEK 65 F	168	796	491	854	350	39	65	42	0.157	782 4065
ZEK 80 F	219	962	573	1066	470	76	80	58	0.150	782 4080
ZEK 100 F	219	962	573	1066	475	78	100	95	0.135	782 4100
ZEK 125 F	324	1174	679	1497	635	128	125	147	0.135	782 4125
ZEK 150 F	324	1174	679	1497	635	131	150	218	0.146	782 4150
ZEK 200 F	406	1434	802	1872	775	192	200	360	0.150	782 4200
ZEK 250 F	508	1806	984	2326	890	290	250	575	0.155	782 4250
ZEK 300 F	610	2086	1125	2736	1005	379	300	814	0.158	782 4300